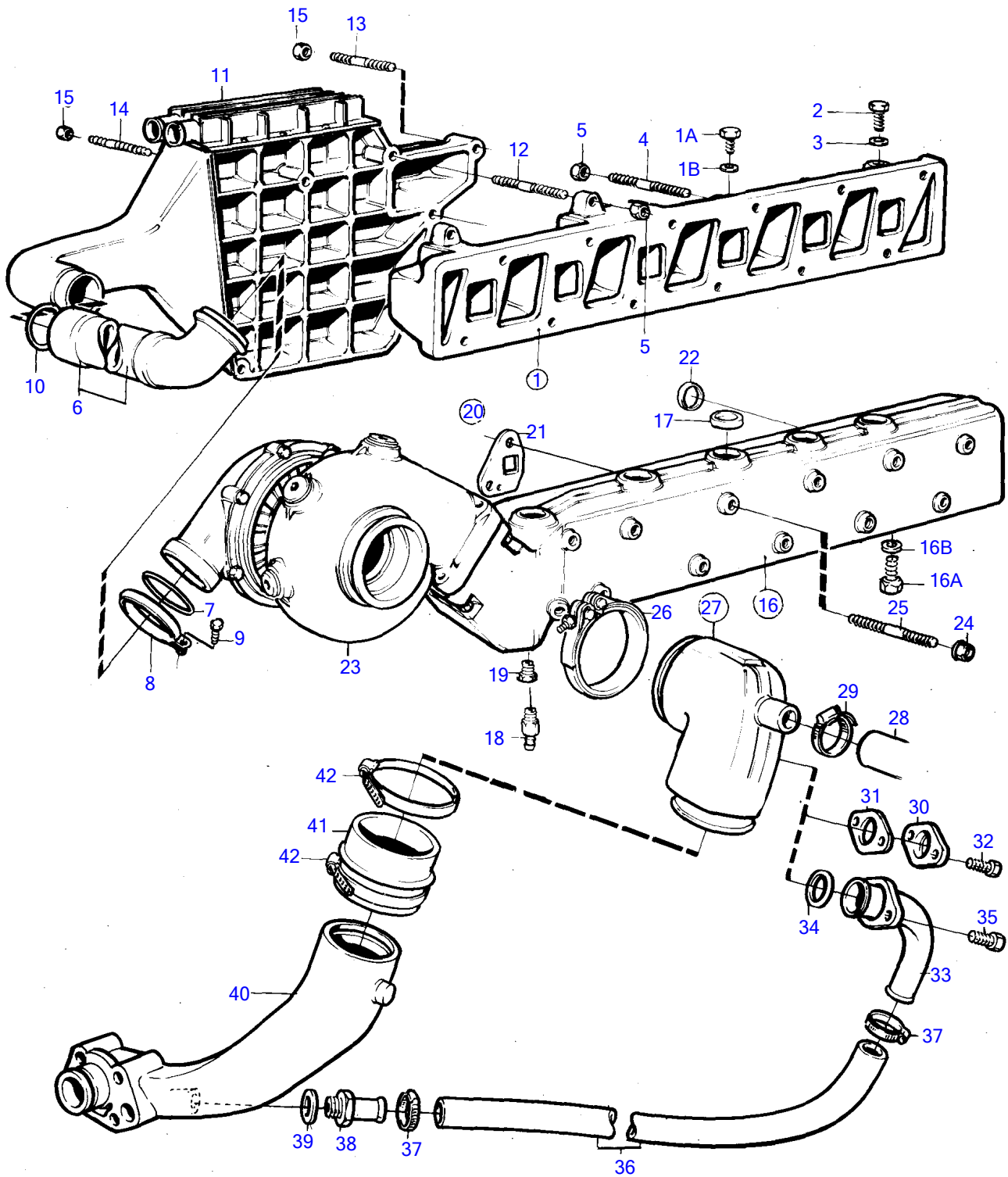


KAD42P-A



16695

KAD42P-A

REF	PART NO.	QTY	DESCRIPTION	SEE SEC.	NOTES
1	859300	1	Inlet pipe		
1A	960634	4	• Plug		
1B	947627	4	• Gasket		
2	960632	1	Plug		M18x12
	960631	1	Plug		M16x12
3	947624	1	Gasket		18x22
	11996	1	Gasket		16x22
4	980226	8	Stud		L=50mm
	980227	2	Stud		L=110mm
5	945408	10	Flange nut		
6	838693	1	Connection pipe		
7	967944	1	O-ring		
8	838864	1	V-band clamp		
9	947542	1	Flange screw		
10	864723	1	Sealing ring		
11		1	Intercooler		
12	953049	2	Stud		L=50mm
13	980227	1	Stud		L=110mm
14	981440	1	Stud		L=185mm
15	945408	4	Flange nut		
16	877067	1	Exhaust pipe		(876823), (861620), Replaced by 3581406
16A	960632	1	• Plug		For engines with temp. sensor mounted on thermostat housing., M18x12
16	960631	1	• Plug		M16x12
16B	947624	1	• Gasket		18x22
16	11996	1	• Gasket		16x22
17	946780	11	• Cap plug		
18	949918	1	Shut-off cock		Late type
19	861551	1	Plug		Early type
20	876144	3	Gasket kit		
21	838673	6	• Gasket		Repl by 876144
22	838766	1	Sealing ring		
23		1	Turbo		
24	971095	12	Flange nut		
25	953001	2	Stud		L=120mm
	953002	7	Stud		For earlier version of expansion tank., L=125mm
	953002	5	Stud		For later version of expansion tank., L=125mm
	953003	1	Stud		For earlier version of expansion tank., L=130mm
	953003	2	Stud		For later version of expansion tank., L=130mm
	953005	2	Stud		For later version of expansion tank., L=140mm
	953007	1	Stud		For earlier version of expansion tank., L=150mm
	17378	1	Stud		L=170mm
26	842993	1	V-band clamp		
27	860656	1	Riser		D=32mm, repl by 861289
	861289	1	Exhaust riser		D=38mm
28	861278	1	Hose		Heat exchanger-exhaust riser., I.D=32mm, for 860656
	3581066	1	Hose		Heat exchanger-exhaust riser., I.D=38mm, for 861289
29	943476	1	Hose clamp		For 860656
	943477	1	Hose clamp		For 861289
33	844258	1	Coolant pipe		
34	842913	1	Sealing ring		
35	946544	2	Flange screw		
36	944386	X	Rubber hose		L=720mm
37	943475	2	Hose clamp		
38	873221	1	Nipple		
39	958228	1	O-ring		
40		1	Exhaust riser	1886	
41	860396	1	Exhaust hose		
42	981239	4	Hose clamp		